

Technical specification

Remote Meter MT50



PRODUCT WEBPAGE



Remote Meter MT50

The new generation remote meter MT50 is compatible with Epsolar's LS****B, LS****BP, VS****BN, Tracer****BN solar charge controller. It can monitor real-time data and status, remotely control load ON/OFF, browse and modify the control parameter, charge mode, load work mode, and inquiry failure information etc.

FEATURES:

- Automatic identify the controller, and display the type, model and relevant parameter data
- Large-screen multifunction LCD displays all the operational data and system working status in digital, graphic and textual forms
- With six navigation function keys, the operation is direct, convenient and rapid
- Real-time energy statistics recording
- Both data and data flowing on the same lead ,no need for external power
- Real-time monitoring and acoustic alarm of failure information of the controller
- Longer communication distance based on RS485

MORE POWERFUL FUNCTION VIA MT50

- Diversified load control modes : manual, light ON/OFF, Light ON+ Timer, Time Control
- Battery type selection: Gel, sealed, flooded and USER type
- Real-time monitor
- Programmable parameters
- Energy display function



DISPLAY INTERFACE:



Real time monitoring



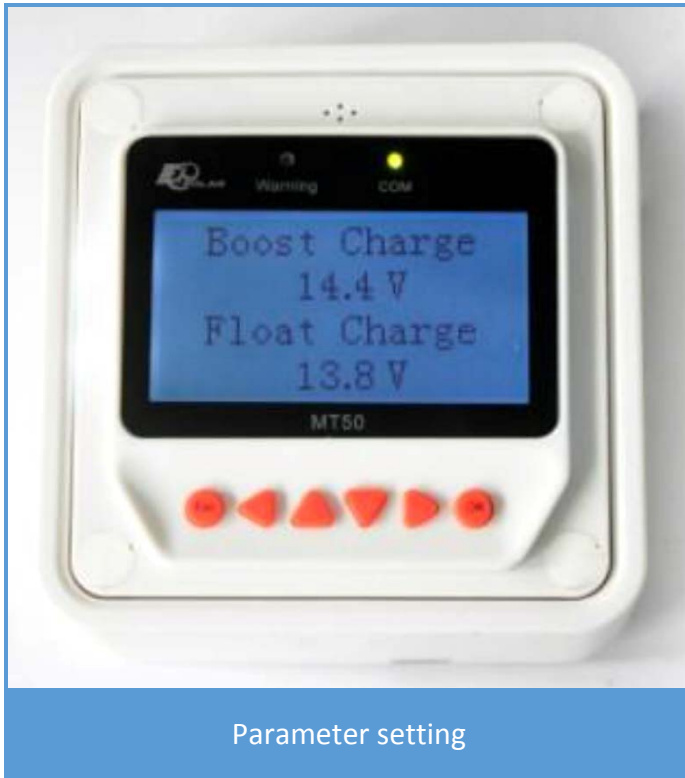
Battery type setting



Load mode setting



Energy statistics



SPECIFICATIONS

Electrical parameter

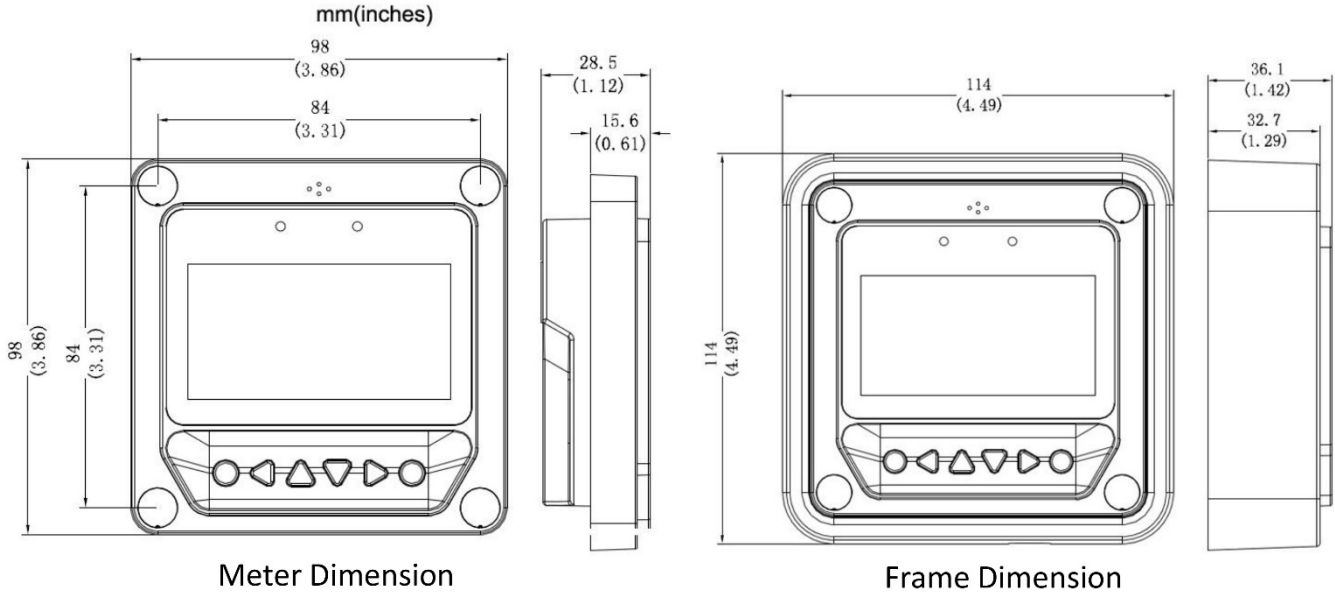
| | |
|------------------|---|
| Self-consumption | Backlight and acoustic alarm on < 65 mA |
| | Backlight on < 23 mA |
| | Backlight off < 15 mA |

Mechanical parameter

| | |
|----------------------|-------------------------------|
| Faceplate dimensions | 98 × 98 mm / 3.86 × 3.86 in |
| Frame dimensions | 114 × 114 mm / 4.49 × 4.49 in |
| Connector type | RJ45 |
| Meter cable | Standard 2 m, max. 50m |
| Meter weight | 0.190 Kg |

Environmental parameter

| | |
|---------------------|------------------------------|
| Ambient Temperature | -20°C ~ +70°C / -4°F ~ 158°F |
|---------------------|------------------------------|



 [PRODUCT WEBPAGE](#) >



EVPower a.s.
Průmyslová 11, 102 19 Prague 10
Czech Republic, European Union