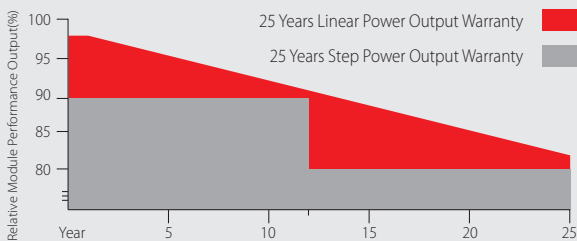
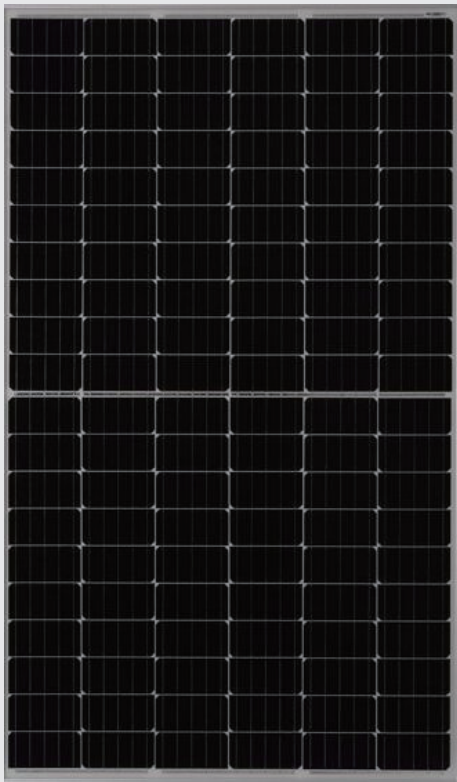


# Einnova Solarline

*invented for solar*



## Half cut Mono crystalline Solar Module

### ESM 310/315/320/325/330/335H

## FEATURES

- Positive power tolerance up to 5w
- Heavy snow load up to 5400 Pa and wind load up to 3800Pa
- IP68 junction box is available for long term weather endurance
- Salt mist, ammonia and blowing sand resistance, apply to seaside, farm and desert areas
- Selective materials and rigid process effectively control Potential Induced Degradation (PID)
- Total quality control and complete traceability of Material by Shop Floor Control (SFC)

## WARRANTY

- 12 Years Product Workmanship Warranty
- 12 Years Minimum 90% Power Output
- 25 Years Minimum 80% Power Output

China Jiangsu  
International Group Ltd.

5 West Beijing Road,  
Nanjing, 210008, China

+86-(0)25-84792033  
+86-(0)25-84705923

info@einnova-solarline.com  
www.einnova-solarline.com

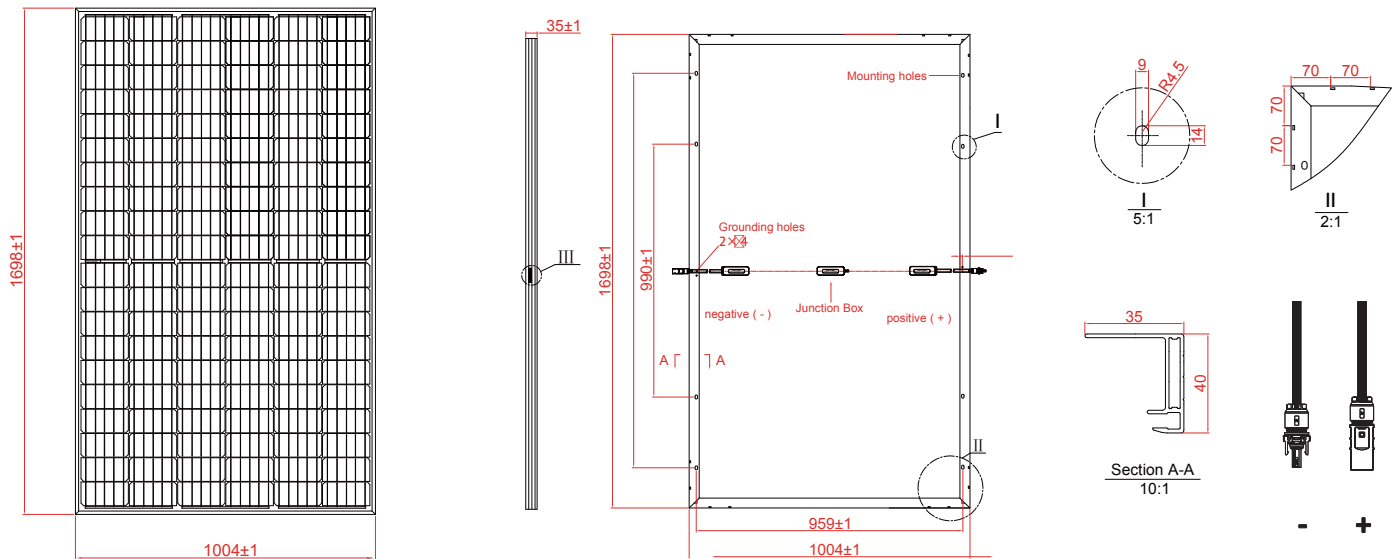
EN

The specifications are subject to change without prior notice.

# Half cut Mono crystalline Solar Module

ESM 310/315/320/325/330/335H

**Einnova Solarline**  
invented for solar



## Electrical Specification

Model Type	Unit	ESM 310H	ESM 315H	ESM 320H	ESM 325H	ESM 330H	ESM 335H
Maximum Power (Pmax)	W	310	315	320	325	330	335
Module Efficiency	%	18.7	19.0	19.3	19.6	19.9	20.2
Open Circuit Voltage (Voc)	V	40.09	40.15	40.20	40.25	40.30	40.35
Short Circuit Current (Isc)	A	9.86	10.00	10.14	10.28	10.42	10.56
Maximum Power Voltage (Vmp)	V	33.09	33.18	33.26	33.34	33.43	33.51
Maximum Power Current (Imp)	A	9.37	9.49	9.62	9.75	9.87	10.00
Maximum System Voltage	V	ICE 1000VDC/UL1500(VDC)					
Maximum Series Fuse Rating	A	18					

Standard Test Conditions (STC) of irradiance of 1000 W/m<sup>2</sup>, spectrum AM 1.5 and cell temperature of 25°C.

The NOCT is obtained under the Test Conditions: 800W/m<sup>2</sup>, 20°C ambient temperature, AM 1.5 Spectrum, 1m/s wind speed.

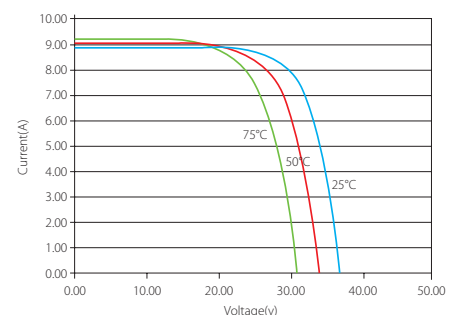
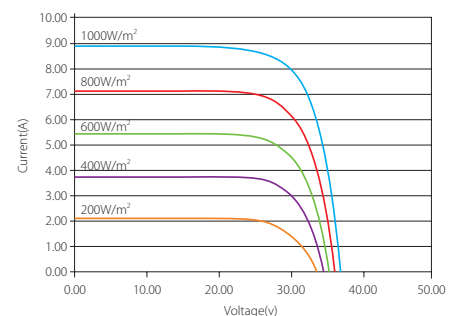
## Mechanical Specification

Module Dimension (mm)	1698× 1004× 40
Cell Dimension (mm)	158.75 x 78.375
Number of Cell	120
Weight (kgs)	19kg
Maximum Load (TUV) (Pascal)	5400
Junction Box and Cable connector	IP68 rated; MC4 compatible
Back-sheet Color	White or Black
Frame Color	Silver or Black

## Temperature Characteristics

Nominal Operating Cell Temperature (NOCT)	45 +/- 2 °C
Temperature Coefficient ( Pmax)	-0.367% / °C
Temperature Coefficient ( Voc)	-0.320% / °C
Temperature Coefficient ( Isc)	0.107% / °C
Operating Temperature	-40~85 °C

## IV CURVE



The specifications are subject to change without prior notice.