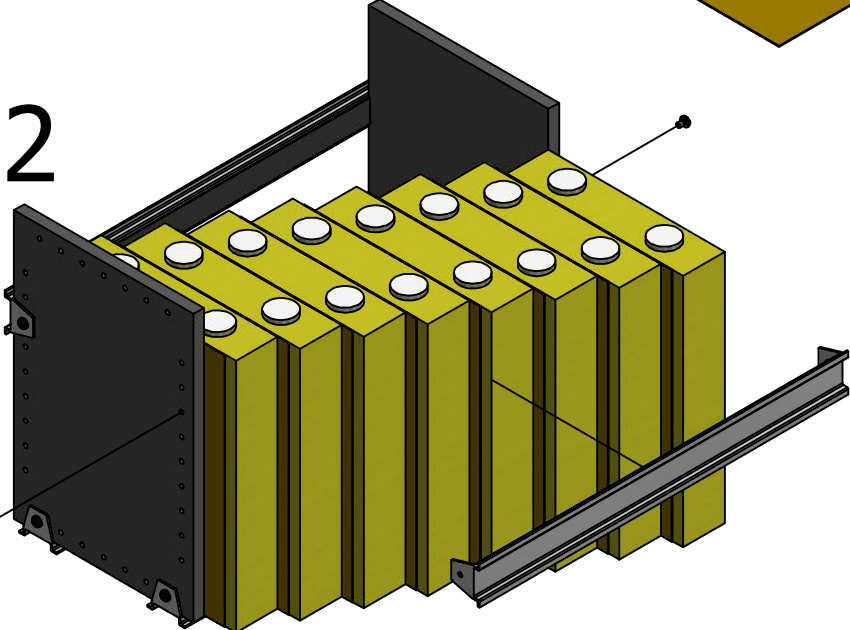
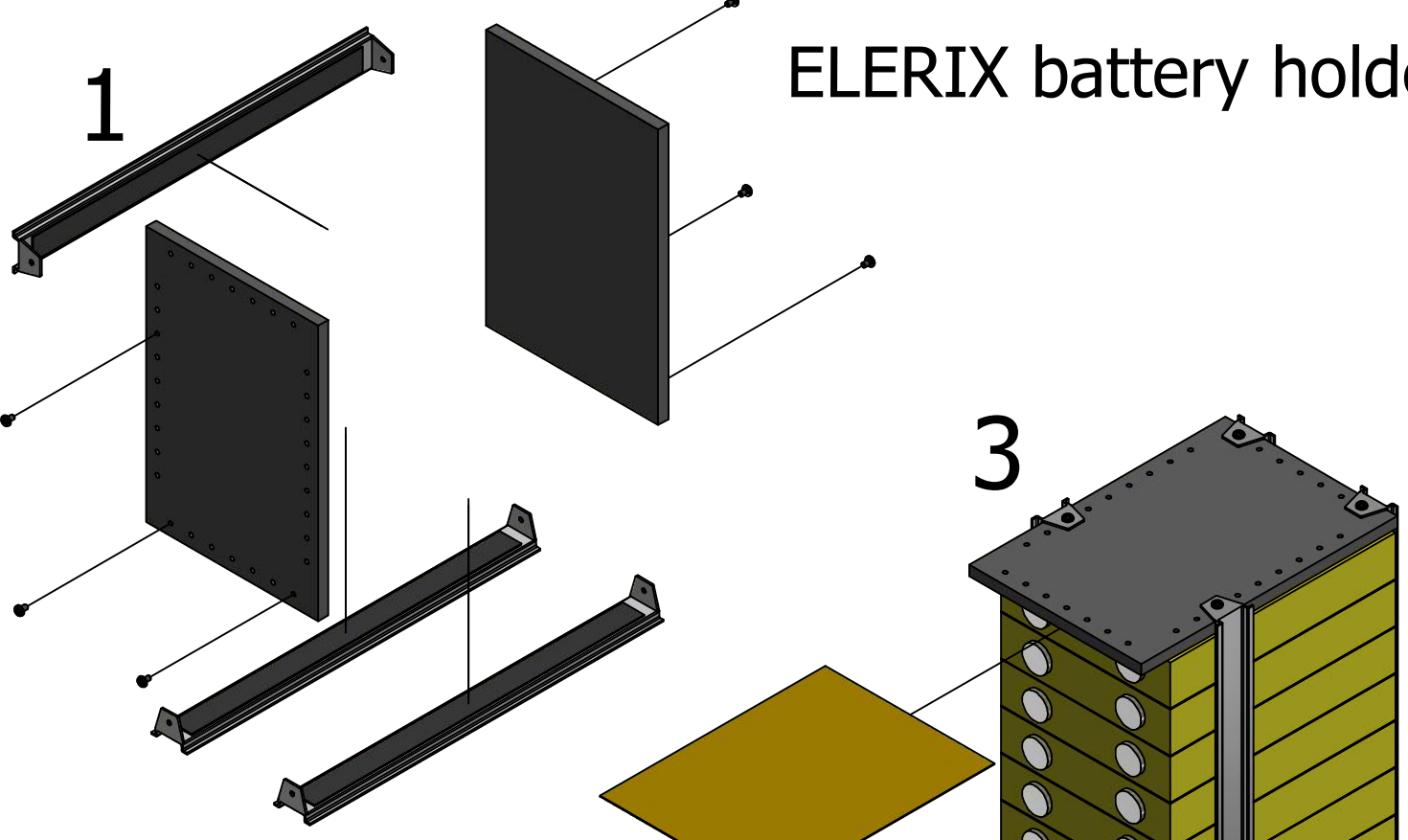
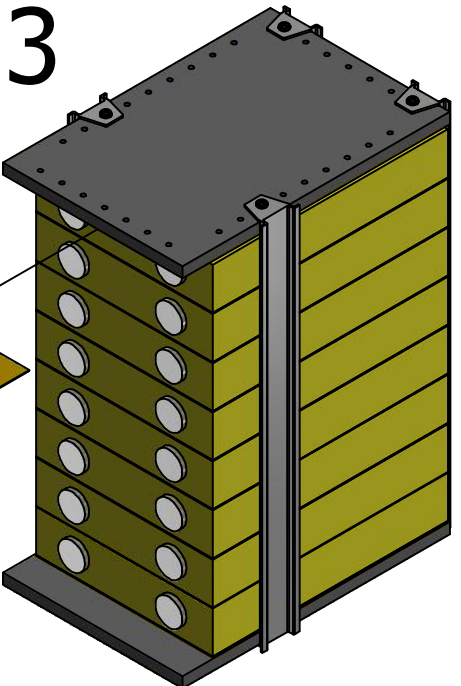
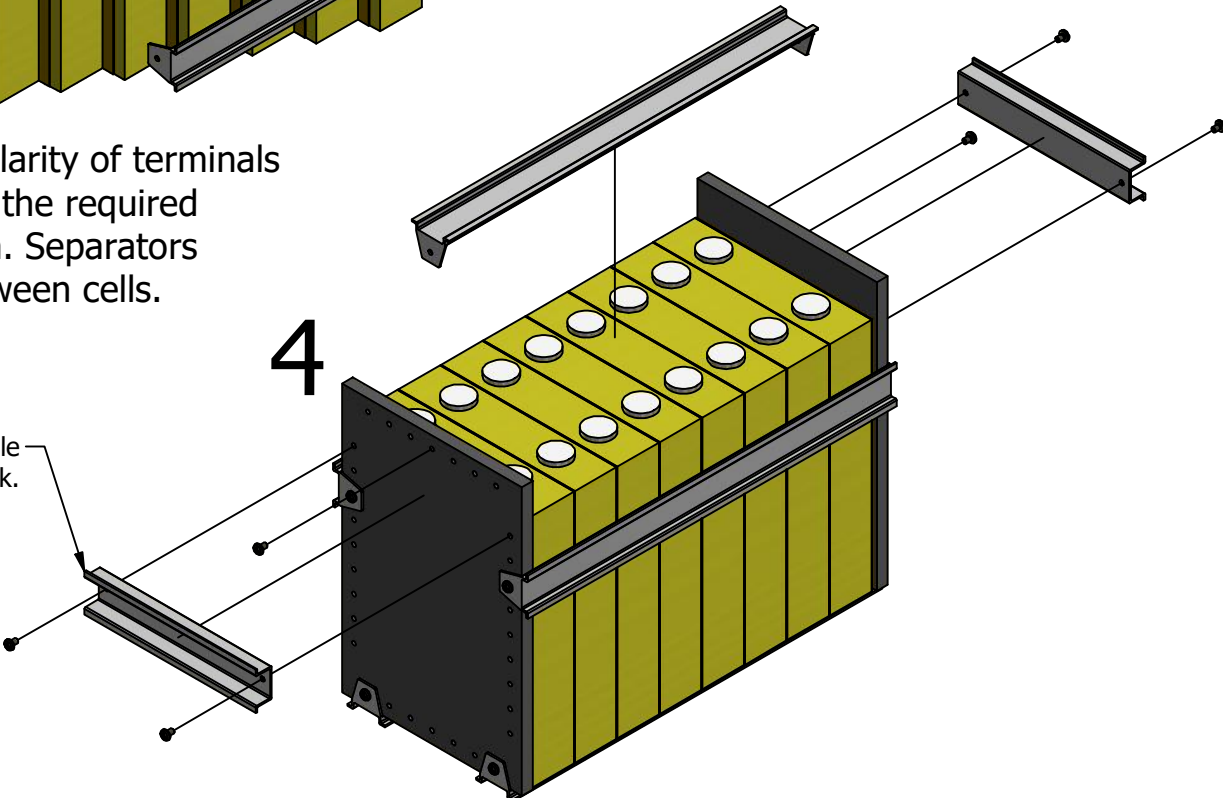


ELERIX battery holder



Ad 2) Check the polarity of terminals according to the required configuration. Separators must be between cells.

Can be used also as a handle to manipulate with the pack.



Ad 3) Overall number of separators is 8 - 10 according to the need of displacing the pack in step 3.