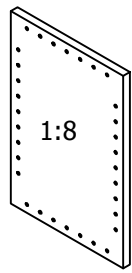
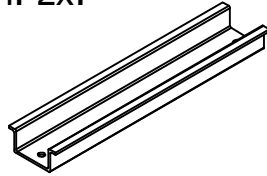


ELERIX battery holder

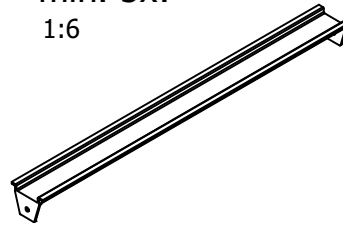
Parts: 2x:



min. 2x:
1:4



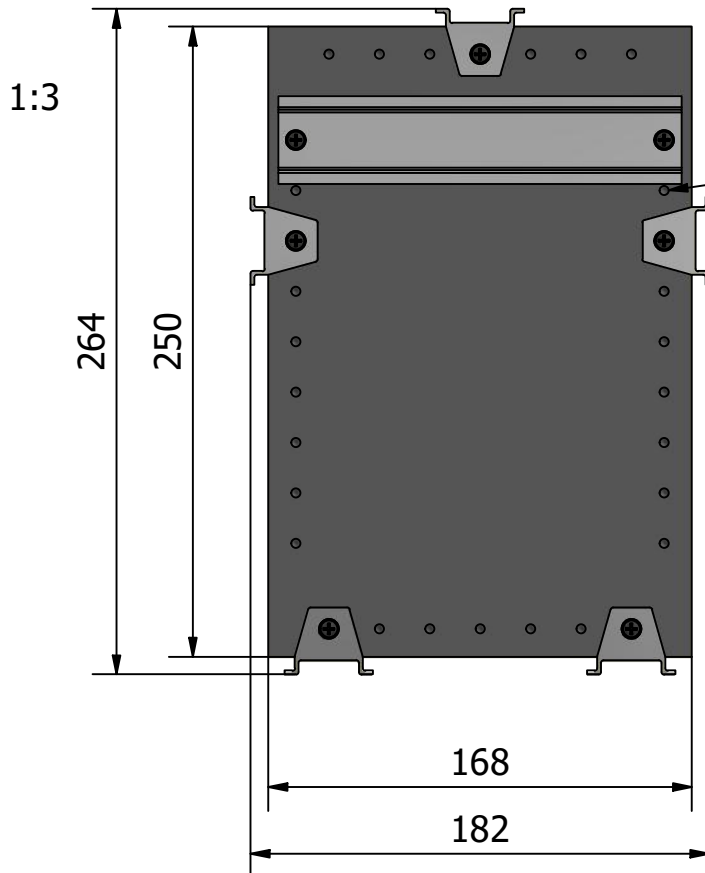
min. 5x:
1:6



no. of profiles x2 (min. 14x):

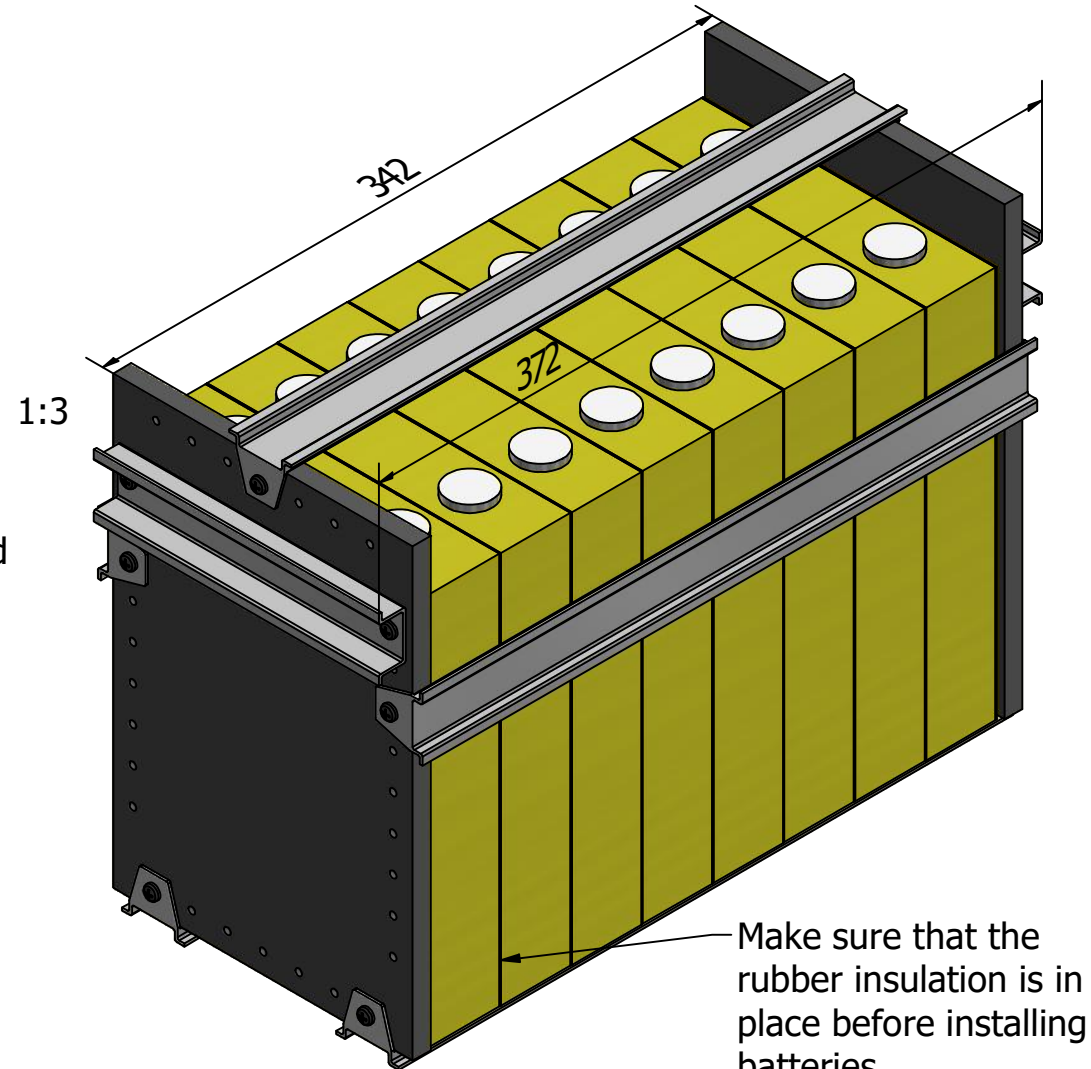


1:1



It is necessary to leave one unused hole between two profiles.

Profiles are interchangeable and movable. Min. amount for installation is: 5x long; 2x short.



Make sure that the rubber insulation is in place before installing batteries.